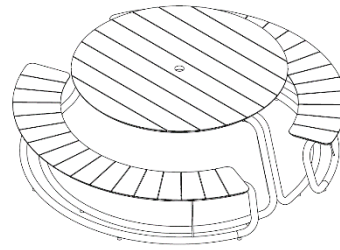







ASSEMBLY INSTRUCTIONS



THE CIRCLE

REQUIRED

- 2 people
- A pair of scissors
- Hex key 10 mm 
- Electric screwdriver PZ2 bit 
- Nut wrench 13 mm 

OPTIONAL TOOLS

- Sandpaper P120 for wood finishing

IN THE PACKAGE

- Assembly instructions - 1 piece
- Seat - 2 pieces
- Table top - 1 piece
- Table leg - 2 pieces
- Box with connectors and accessories

CONTACT

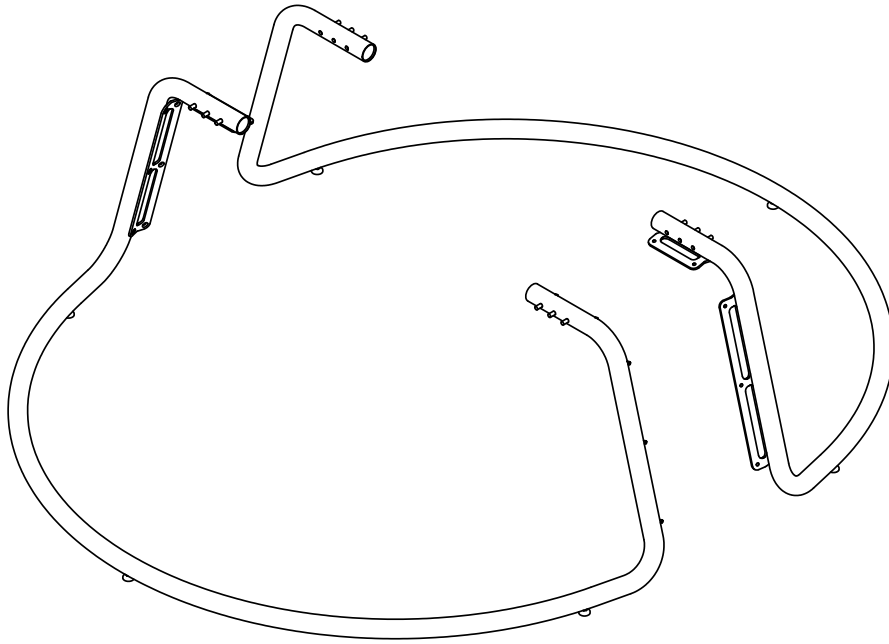
Questions, comments or suggestions
regarding our products or our website?
Feel free to get in touch with us!

Wünder - Ovenhoek 5, 8800 Roeselare, Belgium

+32 51 79 17 31 - info@wunder.be

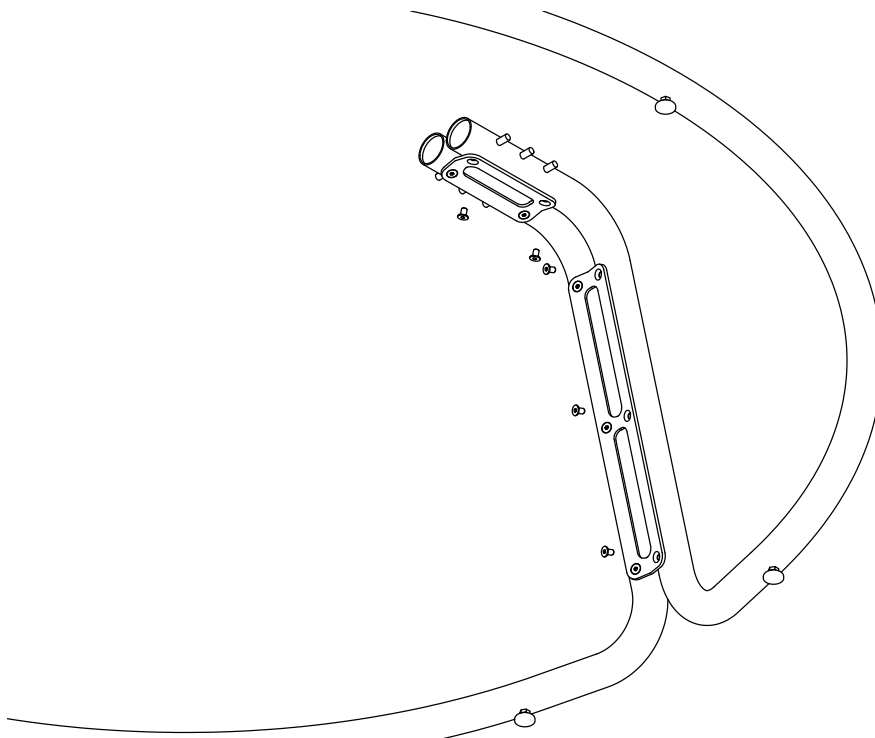
- Place the table legs opposite each other, preferably on a flat surface.
- If necessary, turn the levelling feet in or out to level the parts.

1



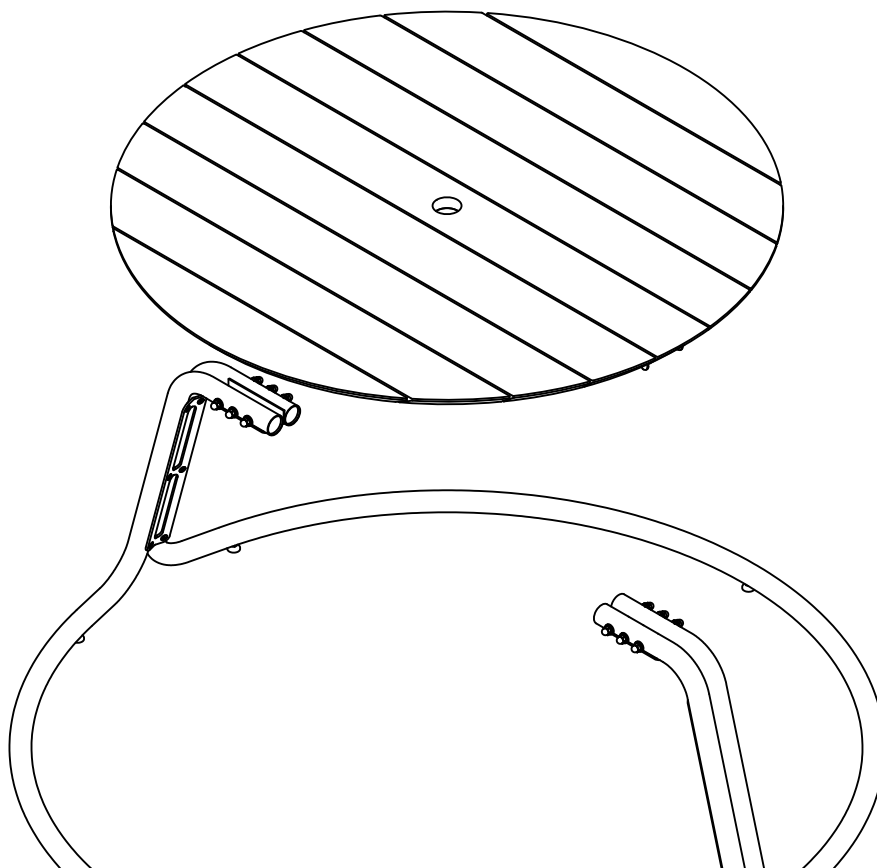
-
- Screw on the mounting brackets, using the countersunk M8 bolts and a 10 mm hex key.
 - The bolts should turn smoothly in the threads, otherwise there is a risk of damaging the threads.
 - Wait to fully tighten the bolts until step 5.

2



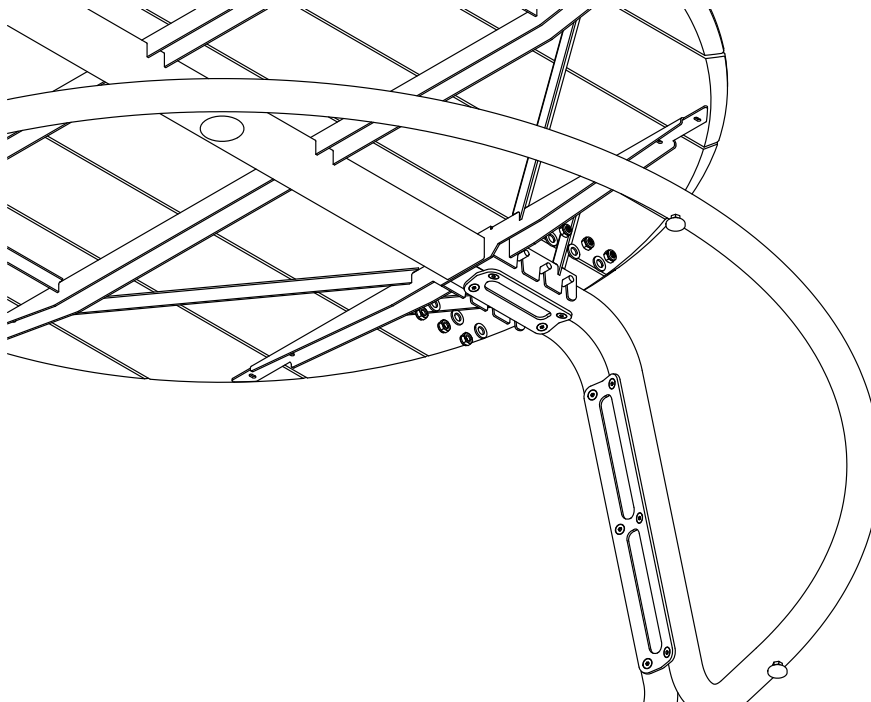
- Place the table top on top of the underframe.
- Make sure the leaf is firmly on the underframe. If necessary, use a tension clamp or place a weight on the table top.

3



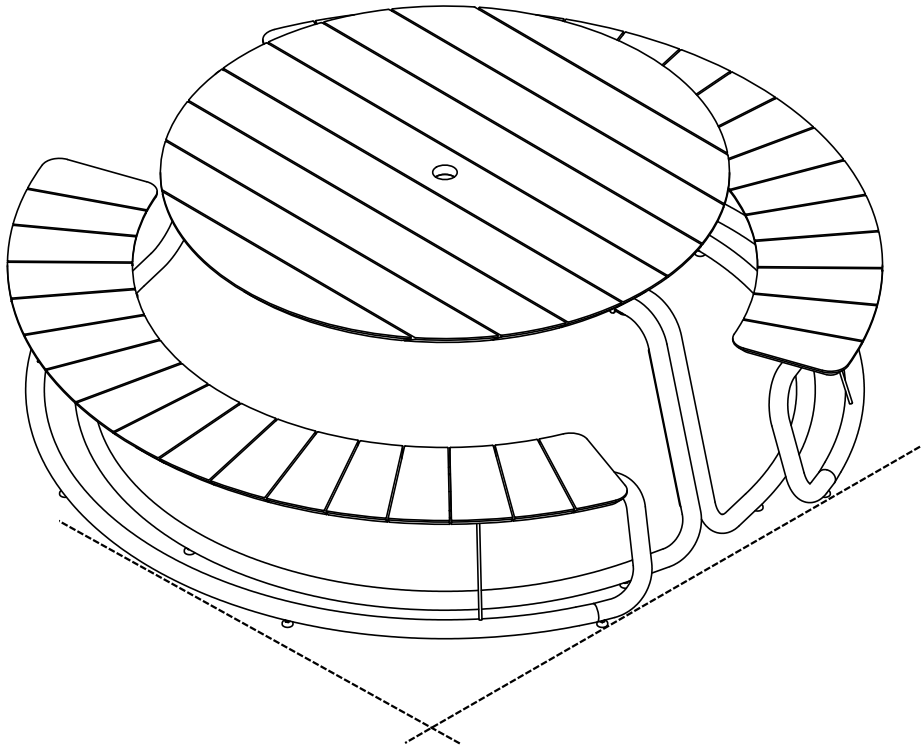
-
- Place the washers and M10 lock nuts on the threaded rods. Use a 17mm socket spanner to tighten the nuts securely.
 - Now the rest can also be tightened.

4



- Determine the exact location of The Circle.

5



- First turn all the levelling feet fully inwards.
- Check if there are any levelling feet that do not touch the floor by turning them until they just touch the floor.
- Whenever The Circle is moved, it is advisable to check the levelling feet again.

6

